



Specifications:

Why use HAPAM earthing switches?

- More than 75 years of experience
- Durable and reliable design
- Over 120.000 disconnectors and earthing switches are in service in more than 100 countries throughout the world
- Virtually maintenance free

General

The free-standing earthing switch consists of three poles. Each pole consists of a base plate, one support insulator and an earth blade that moves in a vertical plane.

Base

The base plate is made of steel plate on which the support insulator, earth blade and bearing plate are installed. All steel parts of the earthing switch are hot-dip galvanized.

Insulators

The earthing switches can be equipped with insulators in accordance with IEC, ANSI or DIN specifications.

Earth blade

The earth blade consists of an Aluminum tube, provided with silver-plated copper contacts at both ends

Drive mechanism

The earthing switch can be single-pole or three-pole operated by means of a motor-operated drive mechanism or a manual-operated drive mechanism. In case only one drive mechanism is used for three-pole operation, the poles are interconnected by means of adjustable coupling rods. The drive mechanism also houses the auxiliary contacts for position indication.

Testing

The earthing switches are designed and tested in accordance with latest IEC specifications. Hapam maintains a quality assurance system according to ISO 9001, certified by DNV GL (previously known as KEMA).

Installation

The earthing switches are pre-assembled and adjusted in our works as complete as possible. The construction is designed so that all earthing switches can be installed and adjusted at site very easily, without the need of any special tools. Hapam provides clear installation instructions and assembly drawings.

Maintenance

The earthing switches supplied by Hapam are designed so as to ensure that they are virtually maintenance free. However, to warrant a long and trouble-free service period, we advise that a visual inspection of the contacts and bearing points be carried out at regular intervals.

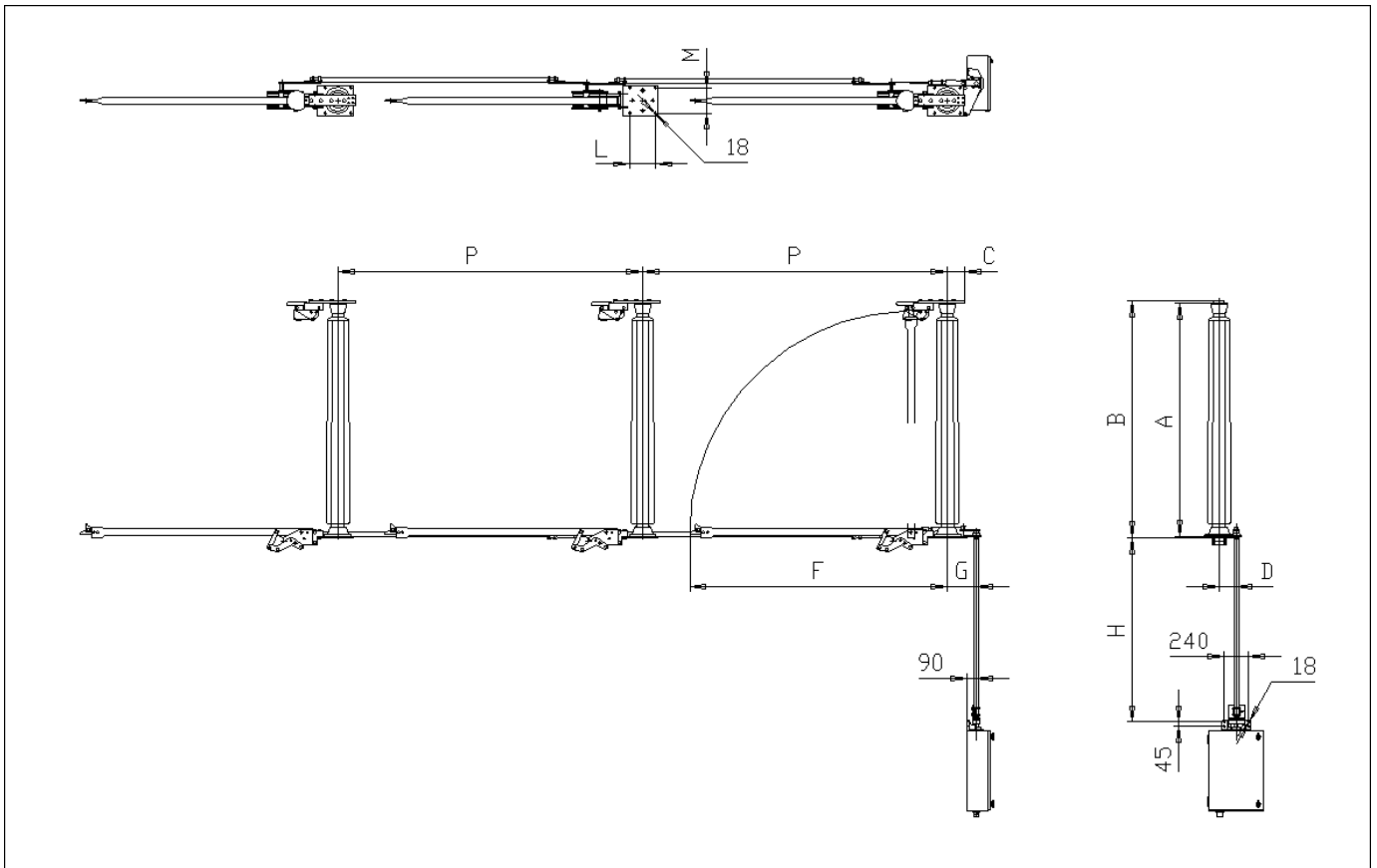
Technical Data:

Rated Voltage		72.5	123	145	170	245	300	362	420	550	800
Lightning Impulse Withstand Voltage - to earth	kV	325	550	650	750	1050	1050	1175	1425	1550	2100
Power frequency withstand Voltage - to earth	kV	140	230	275	325	460	460	460	520	620	830
Switching Impulse Withstand Voltage - to earth	kV	-	-	-	-	-	850	950	1050	1175	1425
Short circuit ratings		• 100 kA peak - 40 kA/3s.				• 125 kA peak - 50 kA/3 sec. • 160 kA peak - 63 kA/3 sec. • 200 kA peak - 80 kA/1 sec.					

Dimensions (mm)

Voltage (kV)	72.5	123	145	170	245	300	362	420	550	800	
A	870	1220	1500	1700	2300	2650	3150	3650	4400	On request	
B	910	1260	1540	1740	2335	2687	3191	3696	4446		
C	170	170	170	170	170	215	215	190	190		
D	140	140	140	140	170	170	170	200	200		
F	1148	1498	1778	1978	2536	2888	3392	3987	4737		
G	310	310	310	310	285	285	285	500	500		
L	180	180	180	180	250	250	250	330	330		
M	180	180	180	180	250	250	250	356	356		
P & H	Defined by substation layout										

Drawing:



HAPAM B.V.

Voltaweg 30, 3752 LP Bunschoten-Spakenburg
Postbus 133, 3750 GC Bunschoten-Spakenburg
The Netherlands

Tel. 0031 33 2983004

Fax. 0031 33 2983204

E-mail: hapam@hapam.nl

www.hapam.nl