

CJ-4XR4

Contactors for tripping applications



APPLICATIONS

- > Tripping applications where it is need ultra fast pick up time (trip order in less than 3 ms) and high breaking capacity contacts, which allow direct operation on highly inductive circuits like HV or/and MV circuit breakers.

MAIN FEATURES

- > Plug-in contactors.
- > Compact size.
- > Front LED.

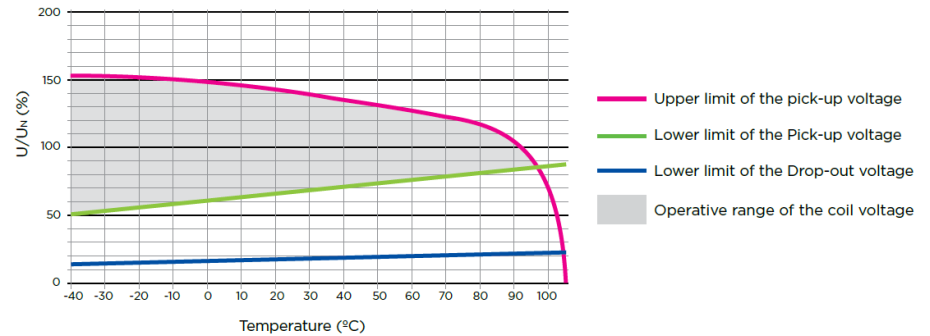
TECHNICAL SPECIFICATIONS

Electrical Characteristics

	CJ-4XR4
Standard voltages	110, 125, 220, 250 Vdc
Voltage Range	+15% -20% Un
Consumption in permanence Un	6,5 W

Operative range against ambient temperature

Pick up voltage
Drop out voltage



According to UNE EN 61810-1 part 5.2.2

Pick up time	Contacts 1-4: <3 ms Contacts 5-8: <20 ms
Drop out time	Contacts 1-4: <25 ms Contacts 5-8: <50 ms
Type of contacts	Changeover polarized
Material of the contacts	AgNi
Distance between contacts	Contacts 5-8: 1,2 mm
Permanent current	Contacts 1-4: 8 A Contacts 5-8: 15 A
Instantaneous current	Contacts 5-8: 30 A during 1 s / 80 A during 200 ms / 200 A during 10 ms
Maximum make capacity	Contacts 5-8: 40 A / 0,5 s / 110 Vdc

Breaking capacity	Contactor	Contacts NO (High breaking capacity)	125 Vdc 40ms current breaking capacity		220Vdc 40ms current breaking capacity	
			Cycles	Amps	Cycles	Amps
Max. breaking capacity		Contacts NC (standard contacts)	125 VDC (100.000 operations)		220 VDC (50.000 operations)	
			0ms	1,00 A	0ms	0,57 A
Umax Opened contacts			40ms	0,52 A	40ms	0,27 A
			Contacts 5-8: See values for 100 operations			
			250 Vdc / 400 Vac			

General data

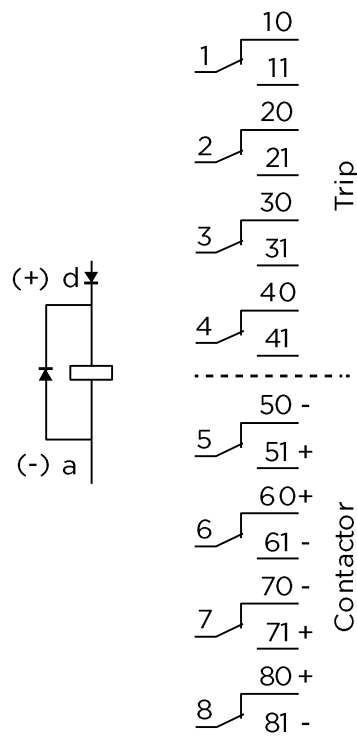
Operating temperature	-25°C +70°C (according to UNE EN 61810-1, part 5.2.1)
Storage temperature	-40°C +85°C (according to UNE EN 61810-1, part 5.2.1)
Maximum humidity	93% /+40°C
Maximum height	<2000m (for bigger heights please consult)
Mechanical endurance	> 10 ⁷ operations

General characteristics

	CJ-4XR4
Nº Contacts	4 changeover polarized + 4 changeover (standard breaking capacity)
Standard version	with LED
Weight	335 gr
Dimensions (mm)	42,5 x 50,4 x 82,5 (J short type)

CONNECTIONS

CJ-4XR4



SOCKETS

General characteristics

	CJ-4XR4
Model	JN-DE IP10
Connections	Screws
Weight	225 gr
Interlockings	4 E0 pieces
Mounting	<p>Contactors can be mounted in any orientation. The distance between contactors is ensured by the socket side PINS.</p>

